

Class IV & V
Drivetrains
for Internal
Combustion
Lift Trucks

Transaxles

for Internal Combustion Lift Trucks

Applications

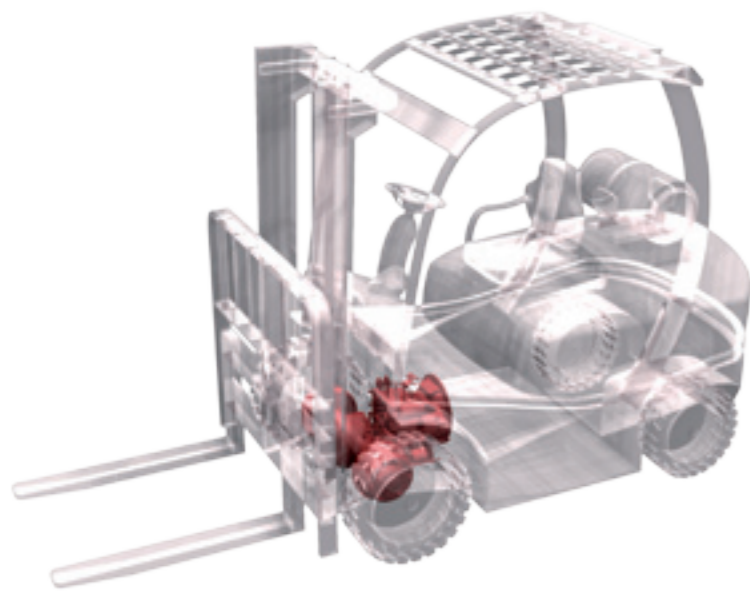
- › IC Counterbalance Lift Trucks (cushion and pneumatic)

Standard features

- › Compact and modular design
- › Powershift Transmission FWD/REV
- › PTO drive included
- › Mechanical inching

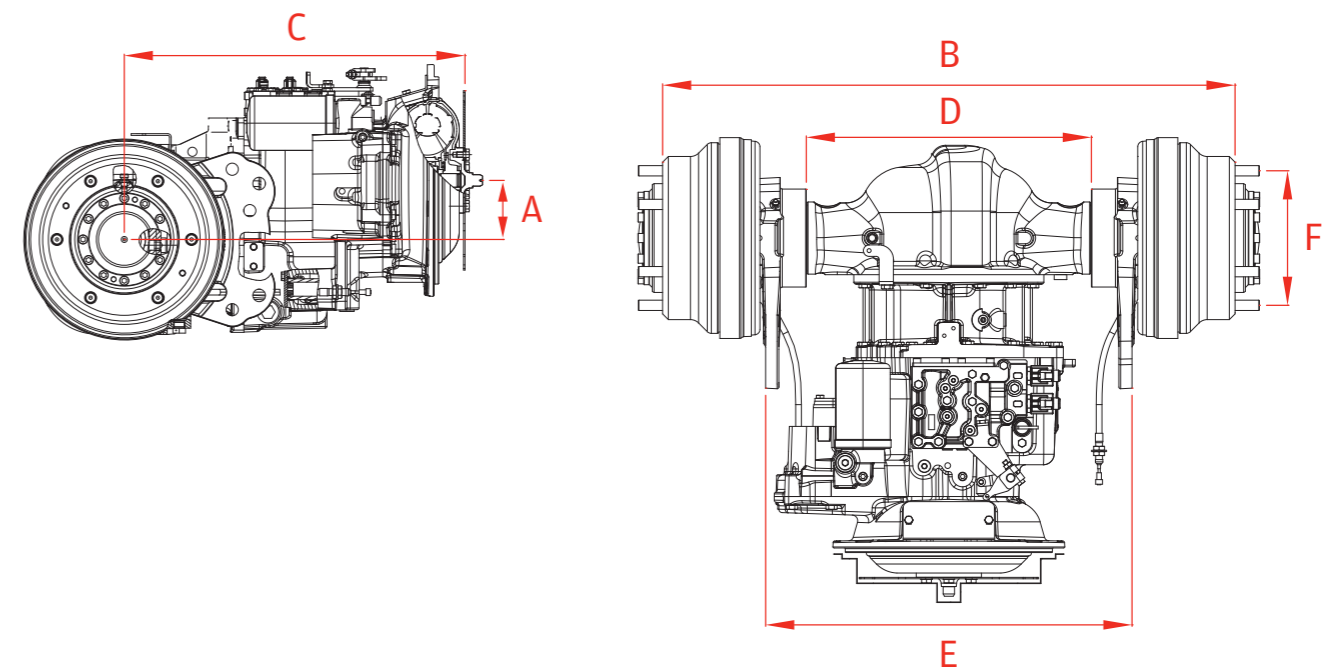
Optional features

- › Hydraulic inching



Class IV & V

		TA 120	TA 135
Lift capacity	Kg	2,000	3,500
Drive Axle Load	Kg	5,200	7,500
Transmission		Single speed	Single speed
Range of ratios		From 14.2:1 to 17.5:1	From 14.2:1 to 17.5:1
Service Parking Brake		Drum Brakes	Drum Brakes
PTO Drive		SAE A - 2 bolt SAE B - 2 bolt	SAE A - 2 bolt SAE B - 2 bolt
Mast Mounting type		Trunnion Pin or J-hook type	Trunnion Pin or J-hook type
Tyre size		21x8-9 7.00-12	21x7x15 7.00-12
A			
Input shaft to wheel shaft	mm	133	103
B			
Flange to flange distance	mm	146	218
C			
Wheel shaft to flywheel	mm	574	595
D			
Mast mounting		Custom-made	Custom-made
E			
Frame mounting		Custom-made	Custom-made
F			
Wheel mounting	mm	156	235



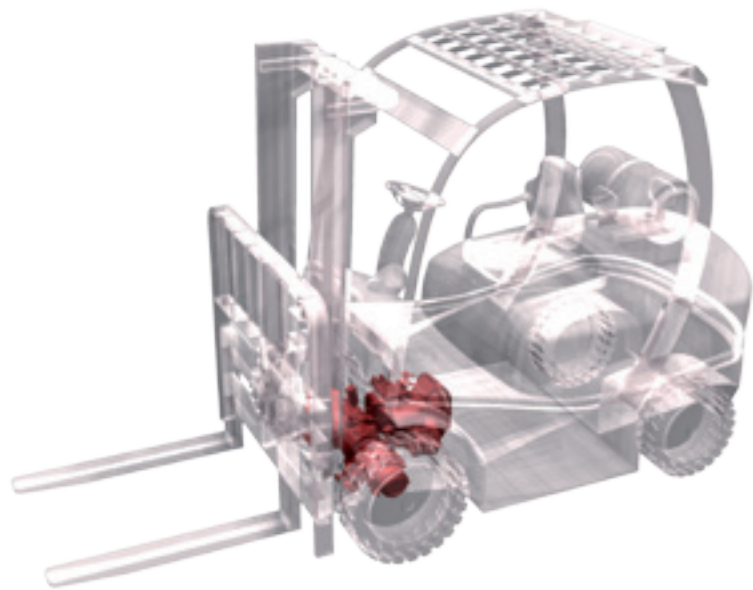
Split Solution for Internal Combustion Lift Trucks

Applications

- › IC Counterbalance Lift Trucks (cushion and pneumatic)

Standard features

- › Compact and modular design
- › Powershift Transmission FWD/REV
- › PTO drive included
- › Integrated mast support
- › Inching function
- › Wet Disc Service Brake
- › Wet Disc Parking Brake
- › Maintenance Free
- › Increased ergonomics



Class IV & V

		IC 20 + T165	IC 35 + T165
Lift capacity	Kg	2,000	3,500
Drive Axle Load	Kg	4,500	7,500
Transmission		Single speed	Single speed
Range of ratios		From 12.8:1 to 17.8:1	From 12.8:1 to 17.8:1
Service Parking Brake		Wet Disc Brakes	Wet Disc Brakes
PTO Drive		SAE A - 2 bolt SAE B - 2 bolt	SAE A - 2 bolt SAE B - 2 bolt
Mast Mounting type		Pin or J-hook type	Pin or J-hook type
Tyre size		6.50-10	7.00-12
A			
Input shaft to wheel shaft	mm	110	110
B			
Flange to flange distance	mm	950	950
C			
Wheel shaft to flywheel	mm	660	660
D			
Mast mounting		Custom-made	Custom-made
E			
Frame mounting		Custom-made	Custom-made
F			
Wheel mounting	mm	180	220

